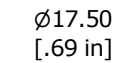
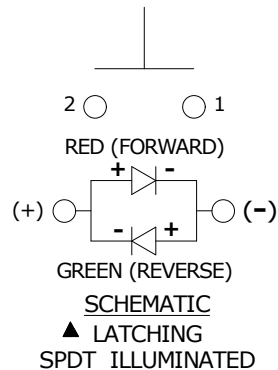


PANEL MOUNTING

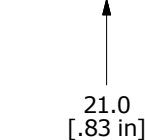


▲ WINDOW TO VIEW
Bi-Color LED:
RED / GREEN

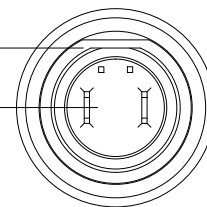
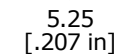
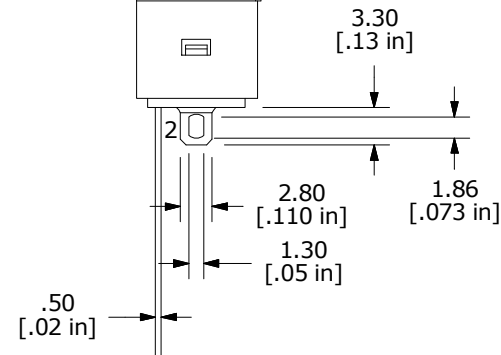
▲ ACTUATOR:
COLOR BLACK

▲ HOUSING:
BLACK

THREAD:
M12 x 0.75



▲ CATHODE (-)



| LED | FORWARD CURRENT | FORWARD VOLTAGE @ 20mA | LUMINOUS INTENSITY |
|-------|-----------------|------------------------|--------------------|
| UNITS | mA | V | mcd |
| RED | 20 | 2.0 - 2.5 | 700 |
| GREEN | 20 | 2.2 - 2.7 | 130 |

NOTE:

- ALL DIMENSIONS IN MM [INCH]
- GENERAL TOLERANCE: X.X = ±0.4
X.XX = ±0.25
- TERMINAL NUMBERS FOR REF ONLY
- CIRCUIT: SPST OFF-ON (LATCHING)
- CONTACT MATERIAL: Gold over SILVER
- RATING: 100mA @ 24 VDC
- ELECTRIC LIFE: 200,000 CYCLES AT FULL LOAD
- CONTACT RESISTANCE: 100 milli-OHM max. (INITIAL)
- INSULATION RESISTANCE: 1,000 MEGA-OHM min. @ 500VDC.
- DIELECTRIC STRENGTH: 1,000 VAC rms.
- OPERATING FORCE: 350 gf ±150 gf
- OPERATING TEMPERATURE: -30°C to +85°C.
- CONTACT BOUNCE: 10ms MAX.
- TRAVEL: 2.5mm ±0.25mm
- PANEL THICKNESS RANGE: 1.5 - 4.0 mm.
- ▲ DENOTES CRITICAL PARAMETER.
- 2011/65/EU (ROHS) COMPLIANT
- MAX MOUNTING TORQUE: 1.5 Nm APPLIED TO THE NUT
- HARDWARE INCLUDED:
 - LOCK WASHER (Qty 1)
 - HEX NUT (Qty 1)
 - O-RING (Qty 1)
- SEAL RATING: IP67 AT THE FRONT PANEL



| | | | | |
|-------|-----------|----------------------|----------|-----|
| TITLE | | RP8200B2M1CEBLKBLKRG | | |
| SCALE | DATE | DR | DWG | REV |
| 3:2 | 8/21/2017 | MW | ST082011 | A |

| | | | | |
|-----|--------|-------------|---------|----|
| A | 22967 | New Release | 8/21/17 | MW |
| REV | PCR NO | DESCRIPTION | DATE | BY |

THE INFORMATION CONTAINED IN THIS DOCUMENT IS PROPRIETARY TO E-SWITCH AND IS NOT TO BE COPIED OR TRANSFERRED